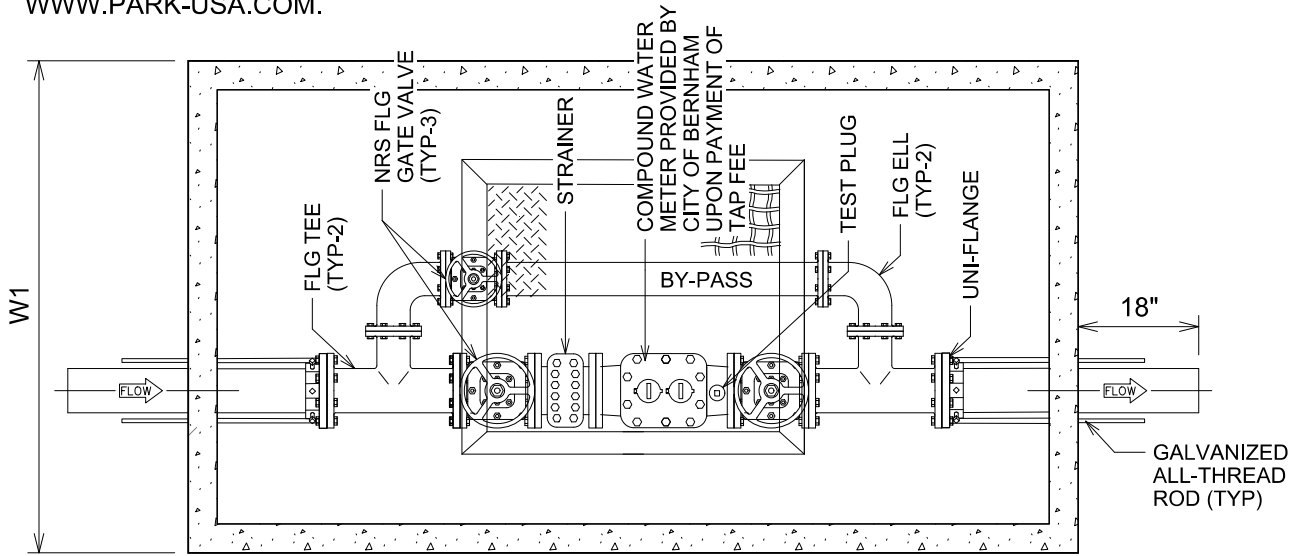
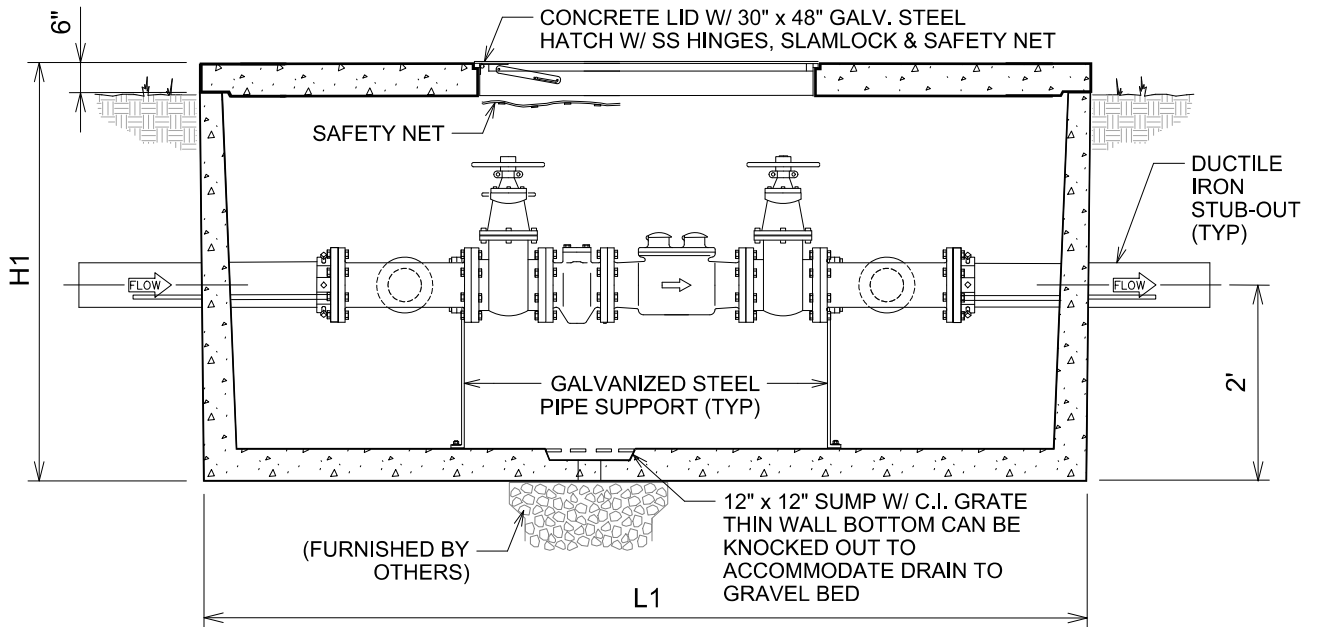


GENERAL NOTES

- DOMESTIC COMPOUND WATER METER ASSEMBLY SHALL BE PARK USA MODEL DMC-BYPASS OR APPROVED EQUAL. MANUFACTURER CONTACT INFORMATION: ParkUSA, 888-611-7275, WWW.PARK-USA.COM.



PLAN VIEW



ELEVATION VIEW

MODEL No.	METER SIZE	BY-PASS	L1	W1	H1
DMC-04	4"	2"	8' - 8"	5' - 0"	4' - 6"
DMC-06	6"	4"	8' - 8"	5' - 0"	4' - 6"

CITY OF BRENHAM USES C-2 SENSUS WATER METERS



4" AND LARGER METER SERVICE DETAIL

STANDARD CONSTRUCTION DETAILS

DATE: 07/20/21

REVISED
DATE: 07/20/21

WTR - 13